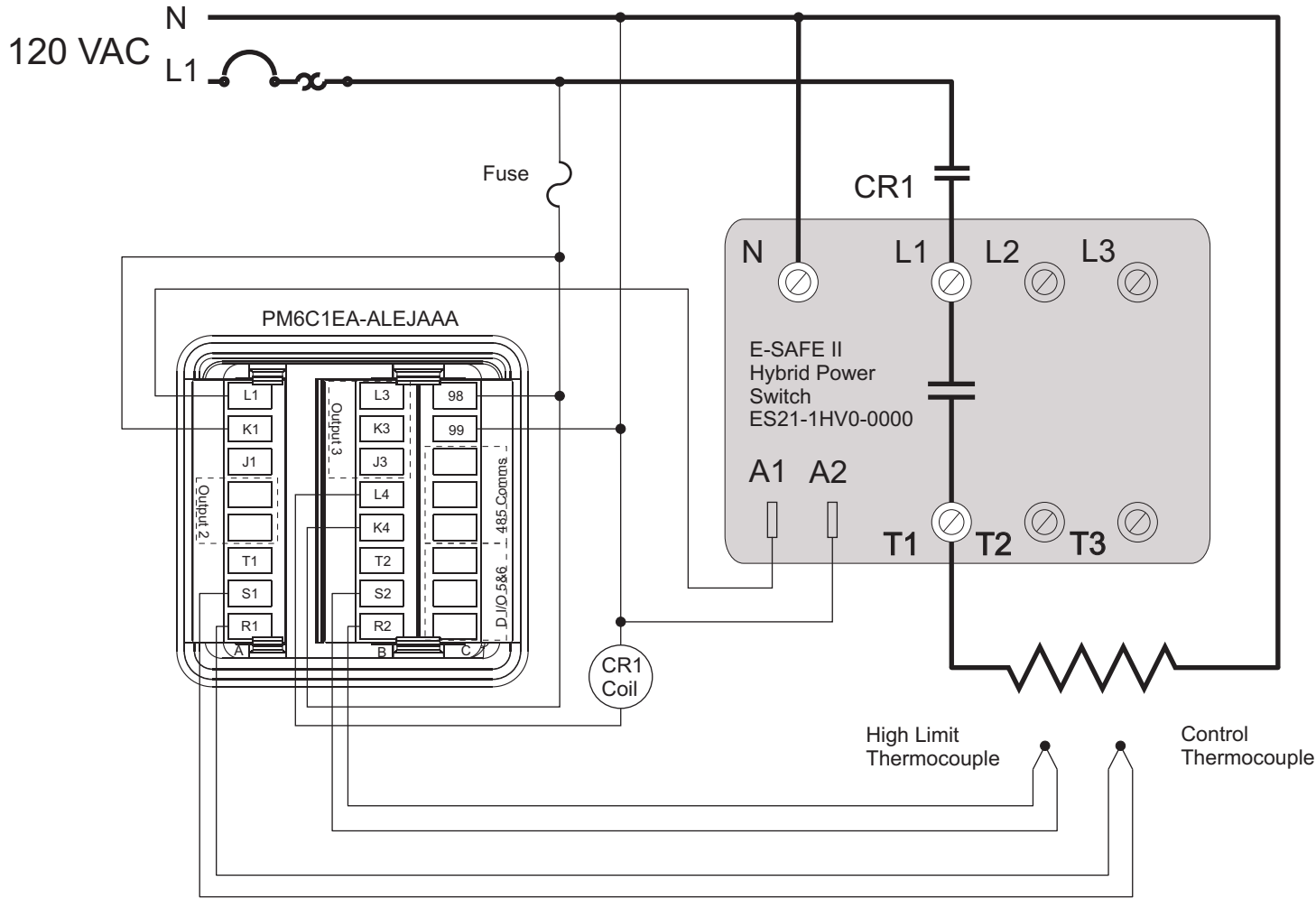
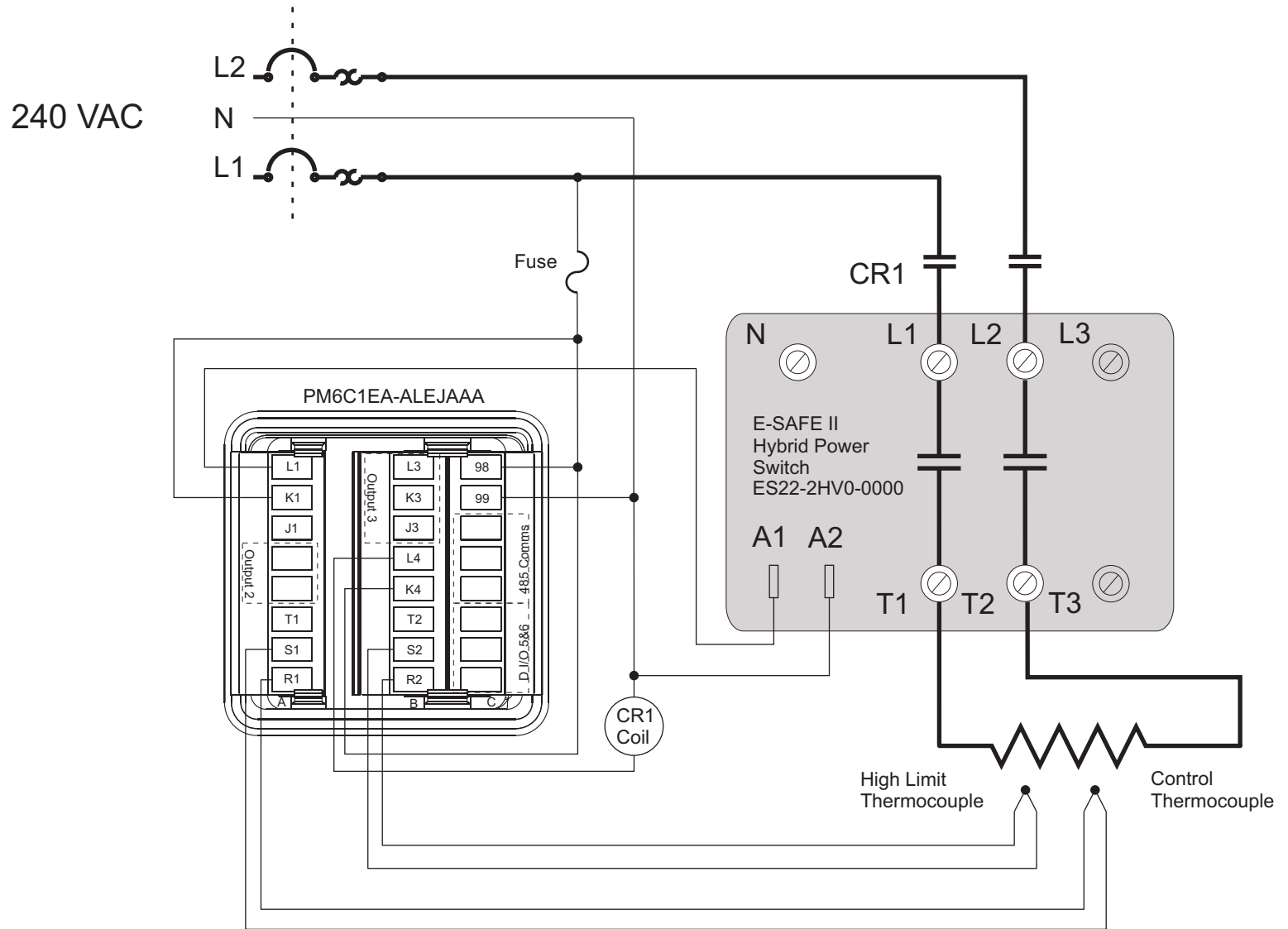


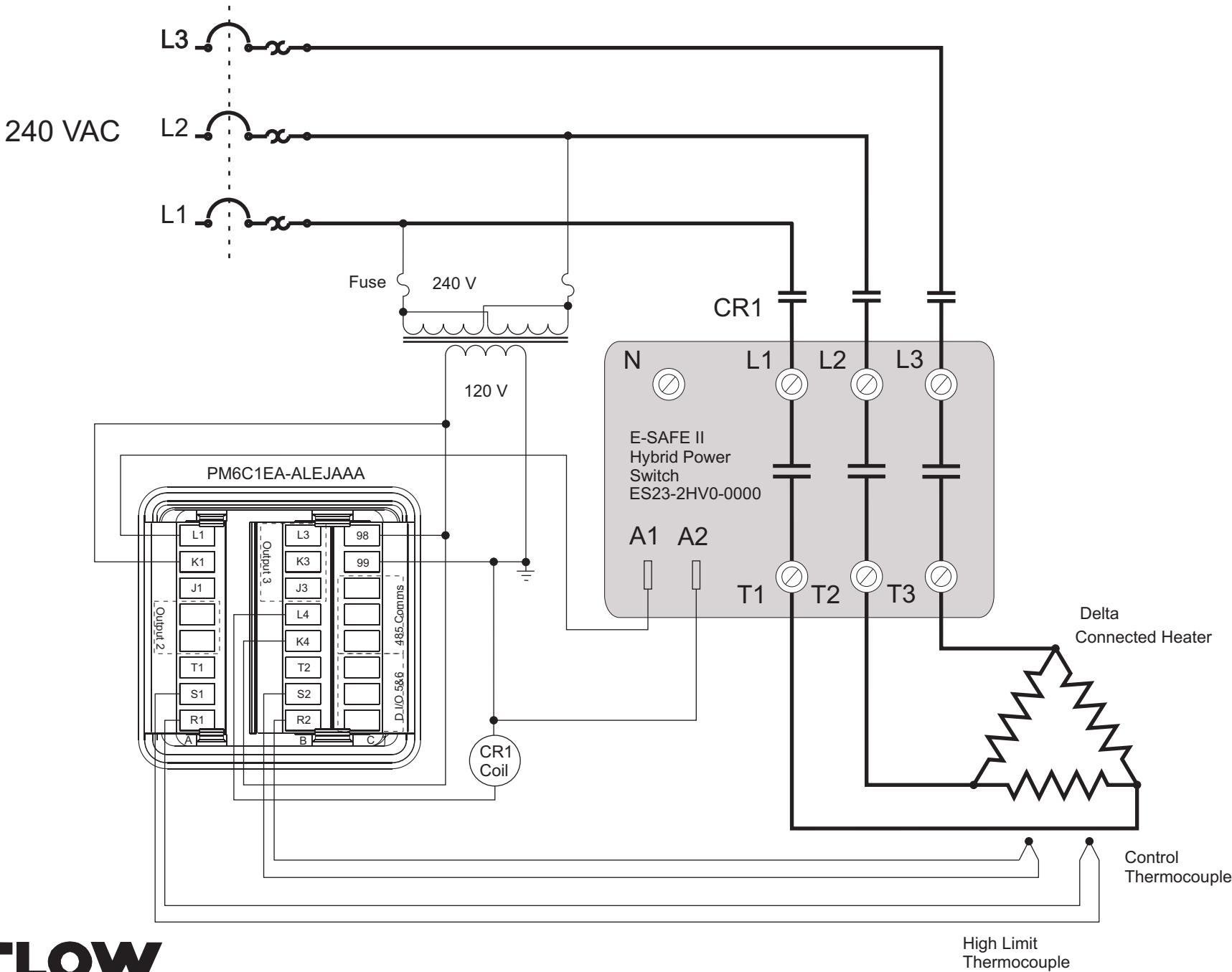
ESAFE II System Wiring Example
120 Volt, single phase
1-pole with AC input control



ESAFE II System Wiring Example
240 Volt, single phase
2-pole with AC input control



ESAFE II System Wiring Example
 240 Volt, 3-phase
 3-pole with AC input control



ESAFE II System Wiring Example
 277/480 Volt, 3-phase
 3-pole with AC input control

